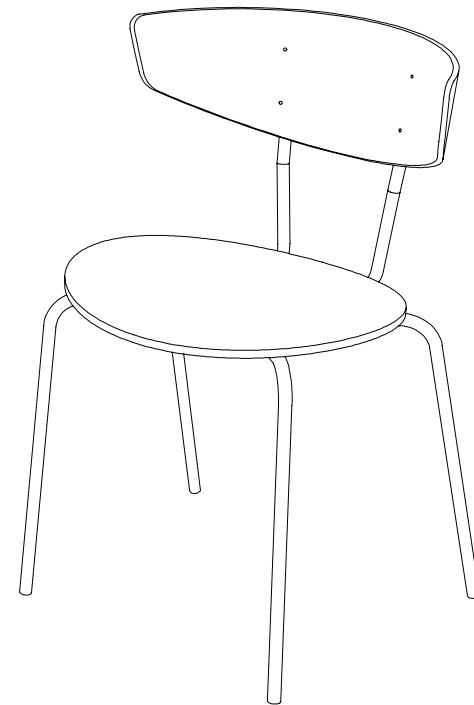


HERMAN CHAIR

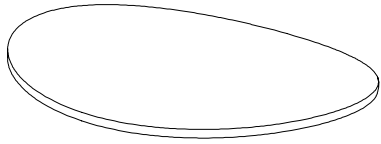
ASSEMBLY MANUAL

fermliving.com



ferm
L I V I N G

NEEDED FOR ASSEMBLING



1 x Seat



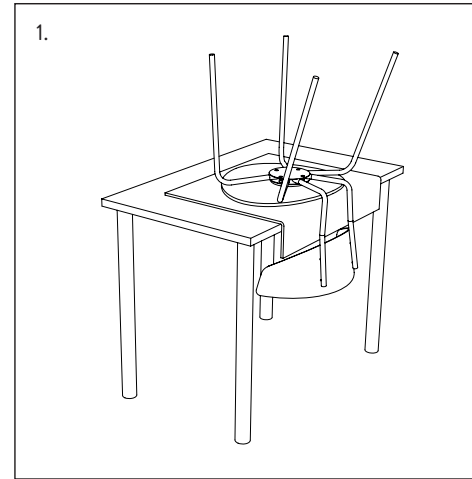
4 x Allen screws



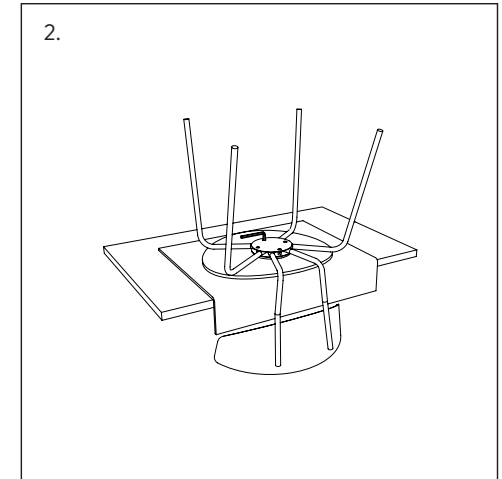
4 x Bumpers



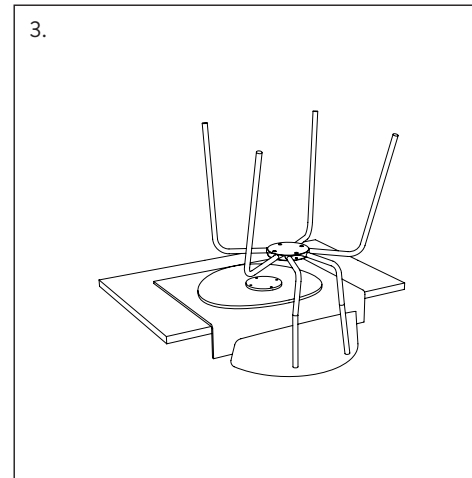
1 x Allen key



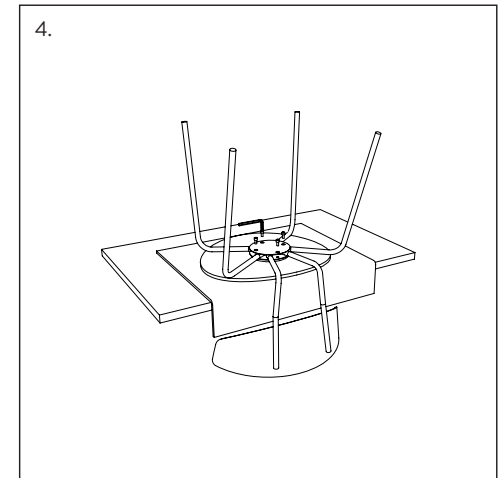
1. Place the chair upside down on a table. In order to protect the seat, place a soft barrier between the seat and the table (e.g. a blanket or towel).



2. Loosen the four screws, one at a time. Make sure to loosen all four screws before unscrewing them completely.



3. Remove the old seat from the frame and place the new seat on the table. Make sure that all four black bumpers are in place on the frame. If you need to change out bumpers, do this now. Place the bumpers between the two 'dots' you can feel on the frame where it connects to the seat.



4. Align the frame with the new seat and loosely fasten all four screws – do not tighten completely. When all four screws are fastened, you can start tightening the first screw. It doesn't matter which you start with, but the second should be the screw directly across from the first screw. Repeat with the remaining two screws. Before turning the chair over, check that the bumpers are correctly mounted and in a fixed position. If the bumpers can move, the screws are not tight enough.